

# MFP 30X~50X

Q-Switch Pulsed Fiber Laser



## Product Feature



### Excellent Single Pulse Energy

Higher single pulse energy makes our laser applicable to more types of materials and applications



### New Compact and Rugged Design

>40% reduction in volume  
Higher flexibility when integrated into system



### Wide Application Even with Highly Reflective Material

High performance isolator effectively reduces reflection damage to the laser source  
Smoothly marking on aluminum, copper and brass etc



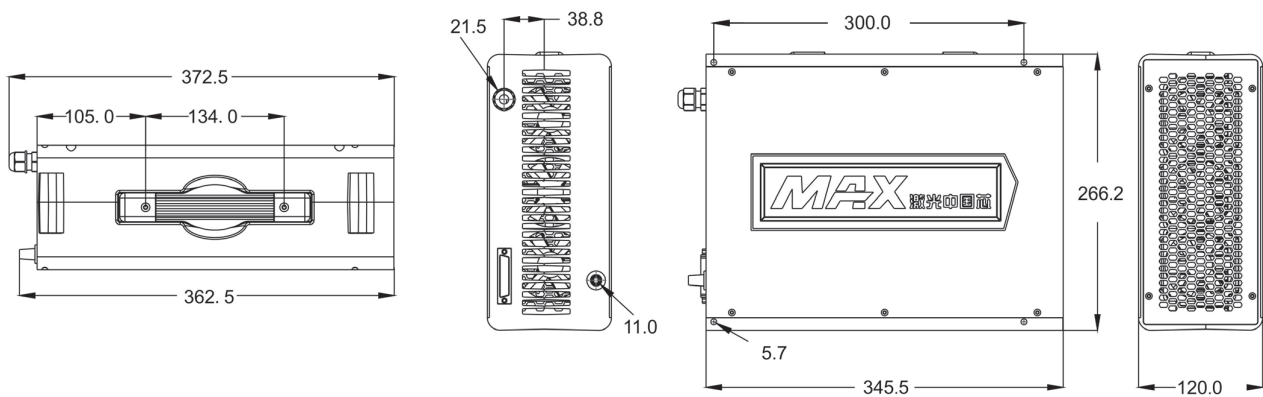
### High Level Vertical Integration

All key components are designed and produced in house  
Strict quality control, high consistency and reliability

## MFP 30X~50X Fiber Laser Specifications

| Models                            | MFP-30X                                 | MFP-50X   |
|-----------------------------------|---|-----------|
| <b>OPTICAL SPECIFICATIONS</b>     |   |           |
| Nominal Power                     | 24~26W                                  | 44~46W    |
| Mode of Operation                 | Pulsed                                  |           |
| Polarization                      | Random                                  |           |
| Power Tunability                  | 10 to 100%                              |           |
| Wavelength                        | 1064 ± 5 nm                             |           |
| Power Stability                   | ≤ 5 %                                   |           |
| Laser Beam Quality M <sup>2</sup> | 1.1~1.6                                 |           |
| Pulse Energy                      | 0.75 mJ                                 | 1 mJ      |
| Pulse Duration                    | 100~120 ns                              | 80~110 ns |
| Repetition Rate                   | 30~60 kHz                               | 45~60 kHz |
| <b>FIBER DELIVERY SYSTEM</b>      |   |           |
| Length                            | 1.9~3m standard, other lengths optional |           |
| Beam Diameter                     | 6~9mm                                   |           |
| Beam Ellipticity                  | 90%                                     |           |
| <b>ELECTRICAL RATINGS</b>         |   |           |
| Supply Voltage                    | 24 VDC                                  |           |
| <b>OTHER SPECIFICATIONS</b>       |   |           |
| Operating Temperature             | +10 to +40°C                            |           |
| Storage Temperature               | -10 to +60°C                            |           |
| Humidity                          | 10 to 95%                               |           |
| Cooling Method                    | Air Cooling                             |           |
| Dimension                         | 345.5×266.2×120 mm                      |           |
| Weight                            | 12 kg                                   |           |

## Mechanical Specifications (mm)



**Maxphotonics Co., Ltd.**

Address: Maxphotonics Industrial Park, 3rd Furong Road,  
Furong Industrial Area, Shajing, Bao'an, Shenzhen, China.518125  
E-Mail: sales@maxphotonics.com <http://en.maxphotonics.com>

**MAX** PHOTONICS